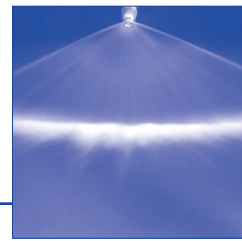




# Tongue-type nozzles

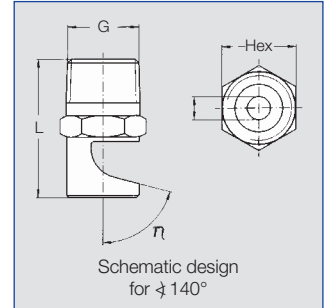
## Series 686



**Wide flat fan with a sharply delimited jet pattern.  
Non-clogging.**

Applications:

Cleaning, pickling, rinsing, requiring powerful and concentrated water jets.



Spray angle	$\eta$	Ordering no.						B Ø [mm]	$\dot{V}$ [l/min]			Dimensions								Spray width B at p=2 bar H = 250 mm	
		Type	Mat. no.		Code G				p [bar]			L [mm]				Hex [mm]					
			17 <sup>1</sup>	5E	1/8 BSPT	1/4 BSPT	3/8 BSPT		1/2 BSPT	1.0	2.0	5.0	R 1/8	R 1/4	R 3/8	R 1/2	R 1/8	R 1/4	R 3/8		R 1/2
			AISI 316Ti/ AISI 316L	PVDF																	
90°	40°	686.646	○	-	CA	-	-	-	2.2	2.83	4.00	6.32	24.5	-	-	-	11	-	-	-	530
		686.686	○	-	CA	CC	-	-	2.4	3.54	5.00	7.91	25	29.5	-	-	11	14	-	-	530
		686.726	○	-	-	CC	-	-	2.7	4.45	6.30	9.96	-	31	-	-	-	14	-	-	530
		686.766	○	-	-	CC	-	-	3	5.66	8.00	12.65	-	33	-	-	-	14	-	-	530
		686.806	○	○	-	CC	-	-	3.4	7.07	10.00	15.81	-	33	-	-	-	14	-	-	530
		686.846	○	-	-	CC	CE	-	3.8	8.84	12.50	19.76	-	34	34	-	-	14	17	-	530
		686.846	-	○	-	CC	-	-	3.8	8.84	12.50	19.76	-	34	-	-	-	14	-	-	530
		686.886	○	-	-	CC	-	-	4.2	11.31	16.00	25.3	-	35	-	-	-	17	-	-	530
		686.926	○	-	-	-	CE	-	4.7	14.14	20.00	31.62	-	-	38.5	-	-	-	17	-	530
		686.926	-	○	-	-	CE	CG	4.7	14.14	20.00	31.62	-	-	38.5	43	-	-	17	22	530
		686.966	-	○	-	-	-	CG	5.3	17.68	25.00	39.53	-	-	-	46	-	-	-	22	530
		686.966	○	-	-	-	CE	CG	5.3	17.68	25.00	39.53	-	-	39.5	46	-	-	17	22	530
686.986	○	-	-	-	-	CG	5.6	19.80	28.00	44.27	-	-	-	46	-	-	-	22	530		
140°	75°	686.648	○	-	-	CC	-	-	2.2	2.83	4.00	6.32	-	24	-	-	-	14	-	-	1370
		686.688	○	-	CA	CC	-	-	2.4	3.54	5.00	7.91	23	27	-	-	11	14	-	-	1370
		686.728	○	-	CA	CC	-	-	2.7	4.45	6.30	9.96	23	27	-	-	11	14	-	-	1370
		686.728	-	○	-	CC	-	-	2.7	4.45	6.30	9.96	-	27	-	-	-	14	-	-	1370
		686.768	○	-	CA	CC	-	-	3	5.66	8.00	12.65	23	27	-	-	11	14	-	-	1370
		686.808	○	-	CA	CC	-	-	3.4	7.07	10.00	15.81	23	27	-	-	11	14	-	-	1370
		686.808	-	○	-	CC	-	-	3.4	7.07	10.00	15.81	-	27	-	-	-	14	-	-	1370
		686.828	○	-	CA	CC	-	-	3.6	7.92	11.20	17.71	23	27	-	-	11	14	-	-	1370
		686.848	○	-	CA	CC	-	-	3.8	8.84	12.50	19.76	23	27	-	-	11	14	-	-	1370
		686.848	-	○	-	CC	-	-	3.8	8.84	12.50	19.76	-	27	-	-	-	14	-	-	1370
		686.868	-	○	-	CC	-	-	4	9.90	14.00	22.14	-	28	-	-	-	14	-	-	1370
		686.888	○	○	-	CC	-	-	4.2	11.31	16.00	25.30	-	28	-	-	-	14	-	-	1370
		686.908	○	-	-	CC	CE	-	4.5	12.73	18.00	28.46	-	28	30	-	-	14	17	-	1370
		686.928	○	○	-	-	CE	-	4.7	14.14	20.00	31.62	-	-	30	-	-	-	17	-	1370
		686.948	○	-	-	-	CE	-	4.9	15.84	22.40	35.42	-	-	30	-	-	-	17	-	1370
		686.968	○	-	-	-	CE	CG	5.3	17.68	25.00	39.53	-	-	32	37	-	-	17	22	1370
		686.988	○	-	-	-	CE	CG	5.6	19.80	28.00	44.27	-	-	32	37	-	-	17	22	1370

<sup>1</sup>We reserve the right to deliver AISI 316Ti or AISI 316L under the material no. 17.  
B = Bore diameter  
Other types on request.

<b>Example</b>	<b>Type</b>	<b>+</b>	<b>Material no.</b>	<b>+</b>	<b>Code</b>	<b>=</b>	<b>Ordering no.</b>
<b>of ordering:</b>	686.646	+	17	+	CA	=	686.646.17.CA

Conversion formula for the above series:  $\dot{V}_2 = \dot{V}_1 * \sqrt{\frac{p_2}{p_1}}$

